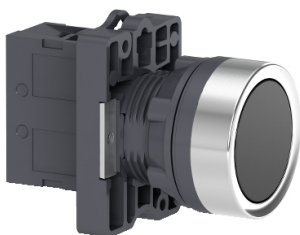


Product datasheet

Specifications



Complete push button, Easy Harmony XA2, plastic, flush, black, 22mm, spring return, unmarked, 1NO

XA2EA21

Main

| | |
|---------------------------|----------------------|
| Range of product | Easy Harmony XA2 |
| product or component type | Complete push-button |
| Device short name | XA2 |
| Bezel material | Plastic |
| Fixing collar material | Plastic |

Complementary

| | |
|---|---|
| Mounting diameter | 22.5 mm |
| Sale per indivisible quantity | 1 |
| protective treatment | TC |
| Operating position | Any position |
| Fixing center | >= 30 x 40 mm (panel) - thickness: 1...5 mm |
| Fixing mode | Fixing nut: 2...2.4 N.m |
| Shape of signaling unit head | Round |
| Type of operator | spring return |
| Operator profile | Black flush |
| Contacts type and composition | 1 NO |
| Contact operation | Slow-break |
| Mechanical durability | 1500000 cycles |
| Connections - terminals | Screw clamp terminal, <= 2 x 1.5 mm ² Screw clamp terminal, <= 1 x 2.5 mm ² Screw clamp terminal, >= 1 x 0.5 mm ² Faston terminals, connection size: 6.3 mm |
| Tightening torque | 0.8 N.m |
| Short-circuit protection | 10 A gL fuse conforming to IEC 60269-1 |
| [Ith] conventional free air thermal current | 10 A |
| [Ui] rated insulation voltage | 600 V conforming to IEC 60947-1 |
| [Uimp] rated impulse withstand voltage | 6 kV conforming to IEC 60947-1 |
| [Ie] rated operational current | 3 A at 240 V, AC-15, A600 0.27 A at 250 V, DC-13, Q600 |
| Electrical durability | 500000 cycles, AC-15, 3 A at 230 V, operating rate <60 cyc/mn, load factor: 0.5 conforming to IEC 60947-5-4 500000 cycles, DC-13, 0.2 A at 110 V, operating rate <60 cyc/mn, load factor: 0.5 |
| Electrical reliability | $\Lambda < 10\text{exp}(-8)$ at 24 V |

| | |
|-----------------------------|---------------|
| Width | 30 mm |
| Height | 42 mm |
| Depth | 54.7 mm |
| net weight | 0.032 kg |
| Cap/operator or lens colour | Black |
| Type of operator | Spring return |

Environment

| | |
|---------------------------------------|---|
| Ambient air temperature for storage | -40...70 °C |
| Ambient air temperature for operation | -25...55 °C |
| Overvoltage category | Class I conforming to IEC 536 |
| IP degree of protection | IP65 conforming to IEC 60529 |
| IK degree of protection | IK03 conforming to IEC 60529 |
| Standards | IEC 60947-5-1 GB 14048.5 GB 14048.1 IEC 60947-1 |
| Product certifications | CE CCC |
| Vibration resistance | 10 gn (f= 40...500 Hz) conforming to IEC 60068-2-6 |
| Shock resistance | 70 gn (duration = 11 ms) for half sine wave acceleration conforming to IEC 60068-2-27 |

Packing Units

| | |
|------------------------------|-----------|
| Unit Type of Package 1 | PCE |
| Number of Units in Package 1 | 1 |
| Package 1 Height | 1.483 cm |
| Package 1 Width | 3.981 cm |
| Package 1 Length | 6.117 cm |
| Package 1 Weight | 30 g |
| Unit Type of Package 2 | S02 |
| Number of Units in Package 2 | 100 |
| Package 2 Height | 15 cm |
| Package 2 Width | 30 cm |
| Package 2 Length | 40 cm |
| Package 2 Weight | 3.661 kg |
| Unit Type of Package 3 | PAL |
| Number of Units in Package 3 | 2000 |
| Package 3 Height | 60 cm |
| Package 3 Width | 80 cm |
| Package 3 Length | 90 cm |
| Package 3 Weight | 69.820 kg |

Sustainability

Green Premium™ label is Schneider Electric's commitment to delivering products with best-in-class environmental performance. Green Premium promises compliance with the latest regulations, transparency on environmental impacts, as well as circular and low-CO₂ products.

Guide to assessing product sustainability is a white paper that clarifies global eco-label standards and how to interpret environmental declarations.

[Learn more about Green Premium >](#)

[Guide to assess a product's sustainability >](#)



Transparency RoHS/REACH

Well-being performance

Reach Free Of Svhc

Mercury Free

Rohs Exemption Information Yes

Certifications & Standards

Reach Regulation [REACH Declaration](#)

Eu Rohs Directive Pro-active compliance (Product out of EU RoHS legal scope)
[EU RoHS Declaration](#)

China Rohs Regulation [China RoHS declaration](#)

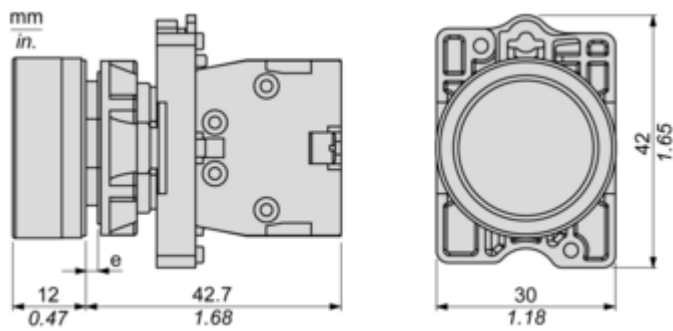
Environmental Disclosure [Product Environmental Profile](#)

Weee The product must be disposed on European Union markets following specific waste collection and never end up in rubbish bins

Circularity Profile [End of Life Information](#)

Dimensions Drawings

Dimensions

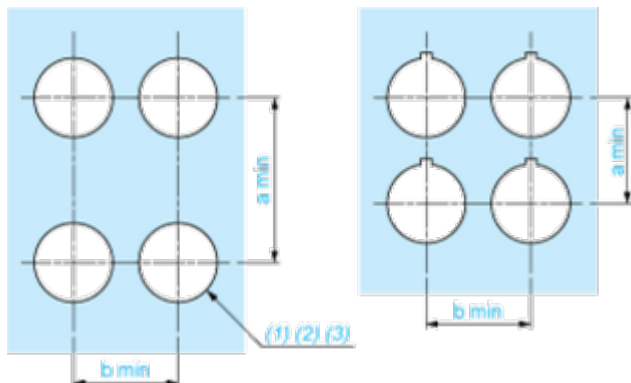


(e) Clamping thickness: 1 to 6 mm / 0.04 to 0.24 in.

Mounting and Clearance

Panel Cut-out for Pushbuttons, Switches and Pilot Lights (Finished Holes, Ready for Installation)

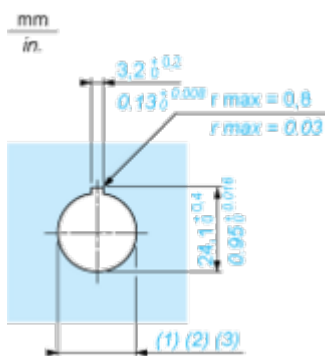
Connection by Screw Clamp Terminals



- (1) Diameter on finished panel or support
- (2) For selector switches and Emergency stop buttons, use of an anti-rotation plate type ZB5AZ902 is recommended.
- (3) $\varnothing 22.5$ mm recommended ($\varnothing 22.3_0^{+0.4}$) / $\varnothing 0.89$ in. recommended ($\varnothing 0.88$ in. $_0^{+0.016}$)

| Connections | a in mm | a in in. | b in mm | b in in. |
|------------------------------------|---------|----------|---------|----------|
| By screw clamp terminals connector | 40 | 1.57 | 30 | 1.18 |
| By Faston connectors | 45 | 1.77 | 32 | 1.26 |

Detail of Lug Recess



- (1) Diameter on finished panel or support
- (2) For selector switches and Emergency stop buttons, use of an anti-rotation plate type ZB5AZ902 is recommended.
- (3) $\varnothing 22.5$ mm recommended ($\varnothing 22.3_0^{+0.4}$) / $\varnothing 0.89$ in. recommended ($\varnothing 0.88$ in. $_0^{+0.016}$)